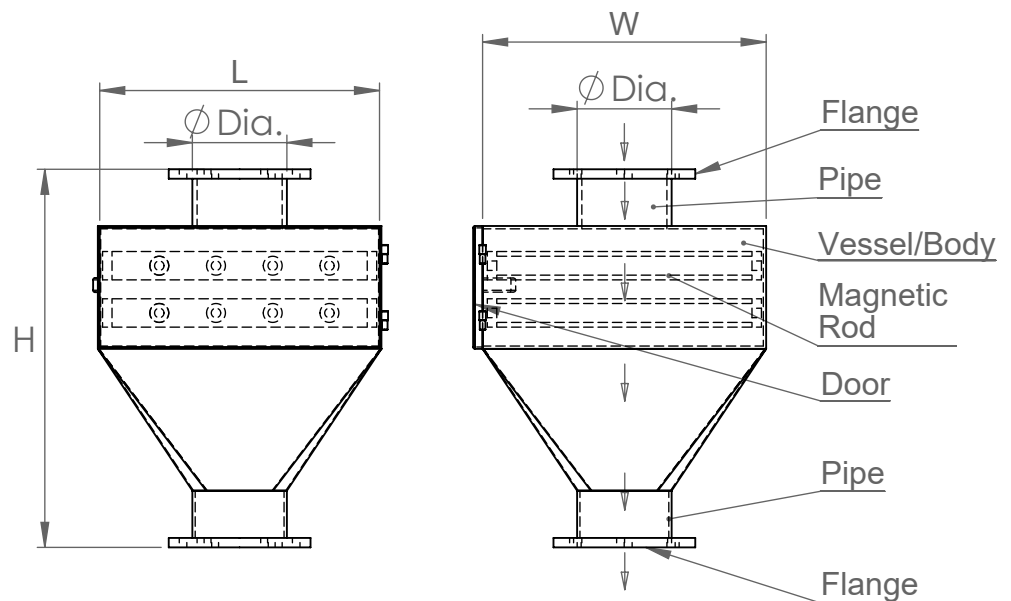
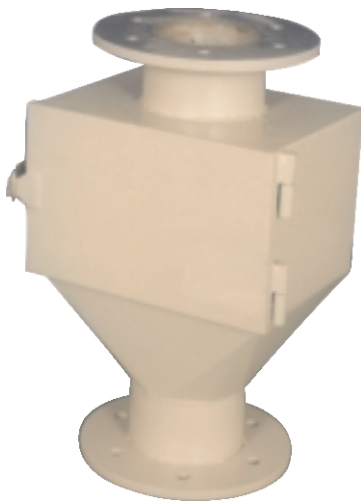


Drawer Type Magnetic Separator for Online Operation



Purpose

Drawer type magnetic separator are used for separating ferrous particles from any kind of raw material Which is in Granular form/ Powder form. Particularly vessel size is always bigger than the pipe diameter to maintain rate of flow.

Location

Particularly this separator is installed where the raw material is arrives.

Construction

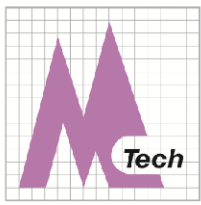
- The body of vessel made by SS304/ Mild Steel. It is available in Nd Fe B grade magnets and Strontium ferrite magnets. Outer tube is made by SS304 /SS316 grade steel (Non magnetic steel).

Maintenance

- These magnetic grills are required to cleaning periodically for getting good results, the cleaning frequency is decide by the operator.

Advantages:-

- Fatigue reduces. (save energy)
- Increasing productivity.
- Increasing quality.
- No Electricity is required.
- Absolutely environmentally friendly (No gases chemicals generated)
- No maintenance is required.



Vessel Type Magnetic Separator

Area of application

Food industries, Plastic industries, Chemical industries, Automobile industries etc.

Available Sizes

Model Code No.	Size (L x W x H)
018-05-01	L250 x W250 x H350mm