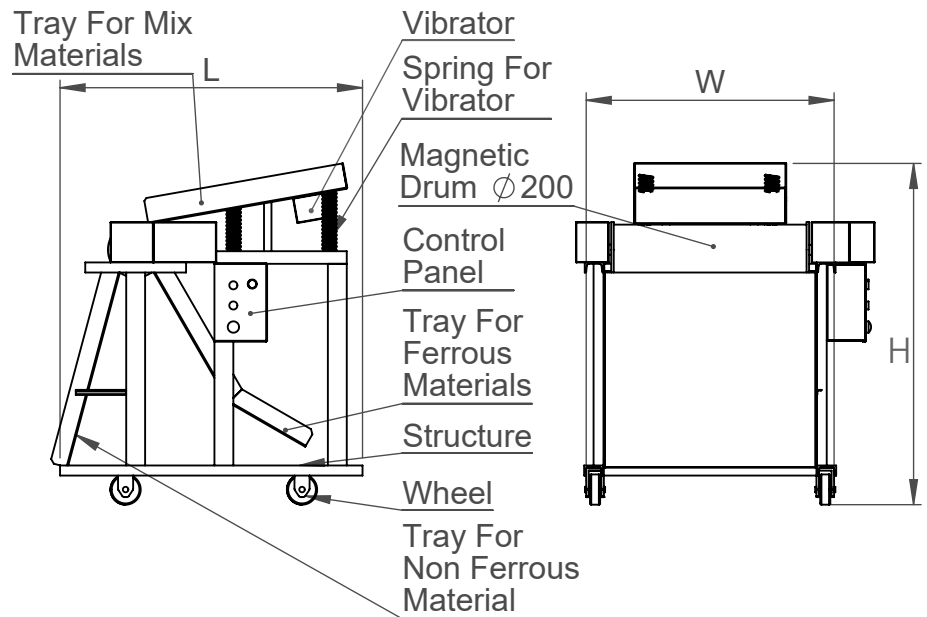


Motorized Magnetic Separator For Scrap



Purpose

Motorized magnetic Separator are used for separating ferrous particles from any kind of raw material Which is in Granular form/ Powder form.

Location

Particularly this separator is used in material recycling industries.

Construction

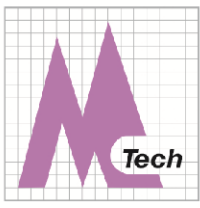
- Overall body is made in MS fabrication It consist Magnetic Drum , Vibrator , Motor with reduction gear box , C.I. pulleys , V belt OR Chain and sprockets and wheels.
- The Magnetic drum is consist Nd Fe B grade magnets OR Strontium ferrite magnets, outer shell of magnetic drum is made by SS304 /SS316 grade steel (Non magnetic steel).

Operating Method

Material feed in hopper OR directly on vibrating tray due to vibration material coming into contact with rotating magnetic drum and non ferrous particles collect in front size of machine as well as ferrous material collect by magnetic drum and it remove back side of machine.

Advantages

- a) Fatigue reduces. (save energy)
- b) Increasing productivity.



Motorized Magnetic Separator For Scrap

- c) Increasing quality.
- d) Absolutely environmentally friendly (No gases chemicals generated)
- e) No maintenance is required.

Area of application:- Plastic industries, Automobile industries, Recycling industries etc.

Available Sizes

Model Code	Size (L x W x H)	Magnetic Drum Size
018-09-01	1500 x 1000 x 1500 mm	200 x 600 mm
018-09-02	1500 x 1300 x 1500 mm	200 x 1000 mm